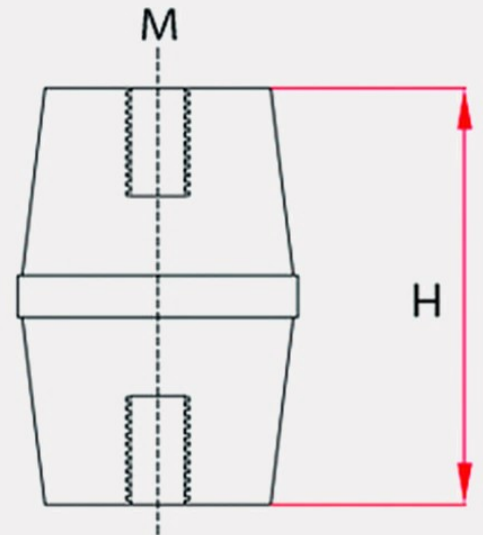


Hexagonal

مقره اتکایی شش گوش



## Reference

Product Code	Height	Diameter	Diameter	Nominal voltage	Insert M	Nominal Tightening torque
	H (mm)	R (mm)	E (mm)			
H25	25	20	26	500	M06	6.4
H30	30	21	28	500	M06	6.4
H35	35	25	32	1000	M06	6.4
H40	40	30	37	1000	M08	15
H45	45	35	42	1500	M08	15
H50	50	38	47	1500	M10	32
H55	55	42	52	1500	M10	32
H60	60	50	60	1500	M10	32
H65	65	52	62	1500	M10	32