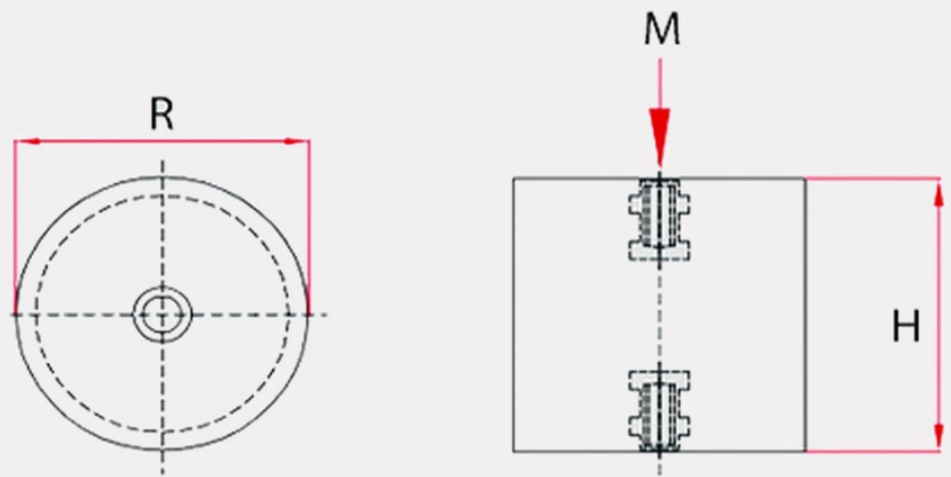


Cylindrical

مقره اتکایی استوانه ای



Reference

Product Code	Height	Diameter	Nominal voltage	Insert	Nominal Tightening torque
	H (mm)	R (mm)	V AC/DC	M	Nm
C30	30	30	600	M06	6.4
C35	35	30	1000	M06	6.4
C40	40	30	1000	M06	6.4