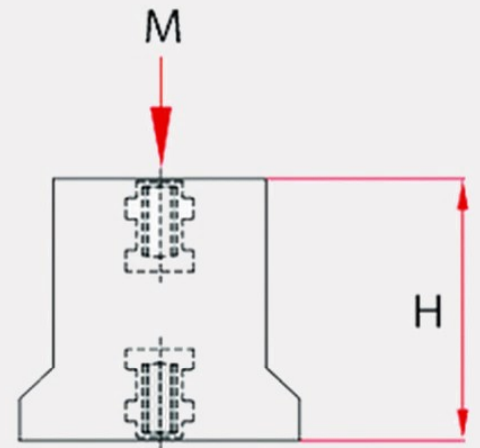
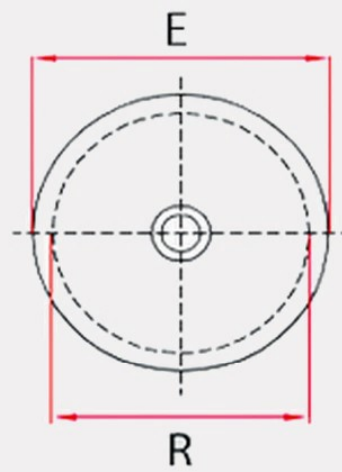


Conical

مقره اتکایی مخروطی



Reference

Product Code	Height H (mm)	Diameter R (mm)	Diameter E (mm)	Nominal voltage V AC/DC	Insert M	Tightening torque Nm
CO20	20	19	25	500	M06	6.4
CO25	25	19	25	500	M06	6.4
CO40	40	33	40	1000	M08	15

