

EM-038

Main Unit, Shielded Type, f3.8, NPN



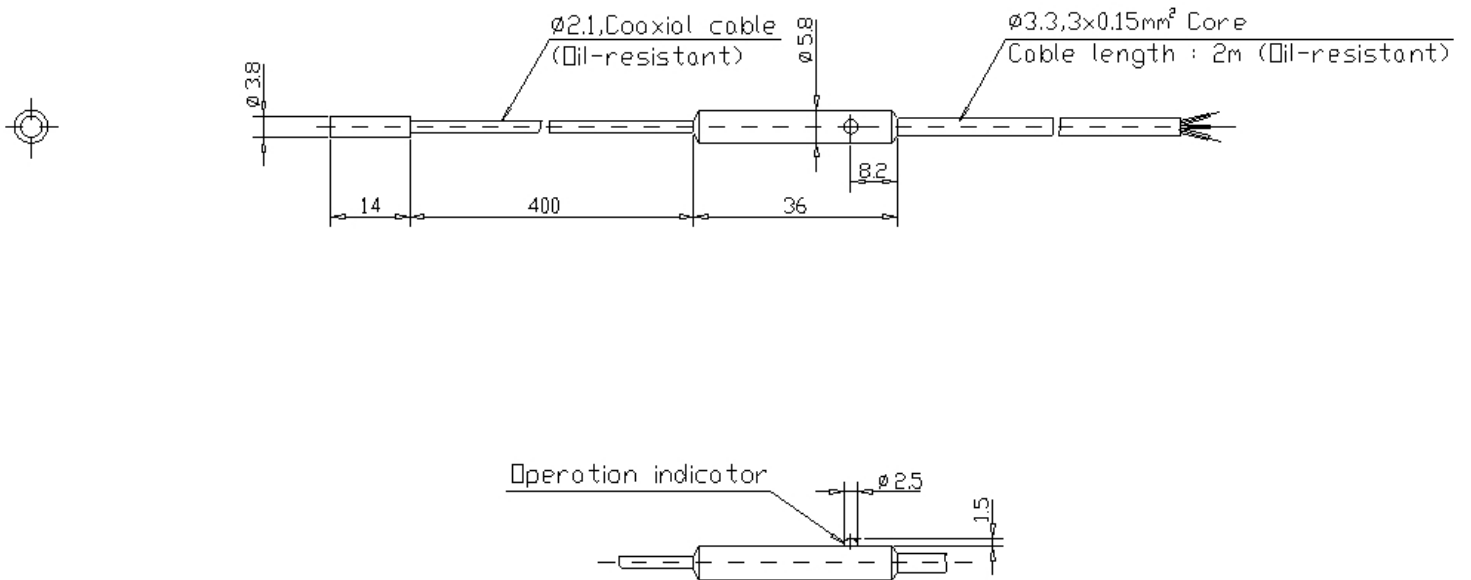
SPECIFICATIONS

Model	EM-038	
Type	Shielded	
Shape	3.8 mm dia Cylindrical.	
Detecting distance	0.8 mm \pm 15%	
Detectable object	Ferrous metals (see Characteristics for non-ferrous metals)	
Standard target (iron, $t=1$ mm)	5 x 5 mm	
Hysteresis	10% max. of detecting distance	
Response frequency	1.2 kHz	
Operation mode	N.O.	
Temperature characteristics	\pm 10% max. of detecting distance at +23°C, within -10 to +70°C	
Display indicator	Red LED	
Output	NPN	
Control output	NPN: 200 mA (40 V) max., Residual voltage: 1 V max.	
Housing	Stainless steel	
Rating	Power voltage	10.8 to 30 VDC, Ripple (P-P) 10 % or less ^{*1}
	Current consumption	12 mA or less
Environmental resistance	Enclosure rating	IP67
	Ambient temperature	-25 to +80 °C (No freezing)
	Relative humidity	35 to 95 % RH (No condensation)
Weight	Approx. 38 g (including nuts and 2-m cable)	
*1 Make sure that the power voltage stays within 10.8 V to 30 V even if it is affected by ripple effects.		

Dimensions

* Download CAD file or product manual for larger image/text and more detail.

EM-038



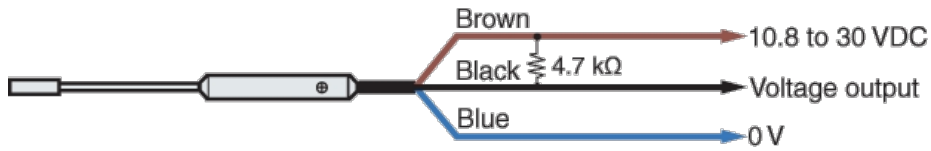
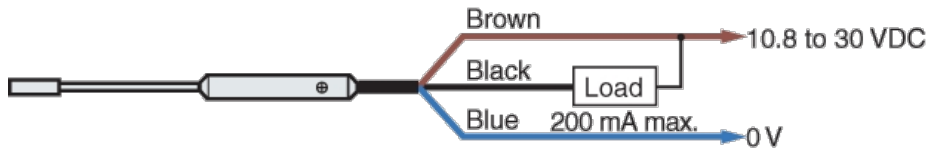
I/O Circuit Connection diagram

* Download CAD file or product manual for larger image/text and more detail.

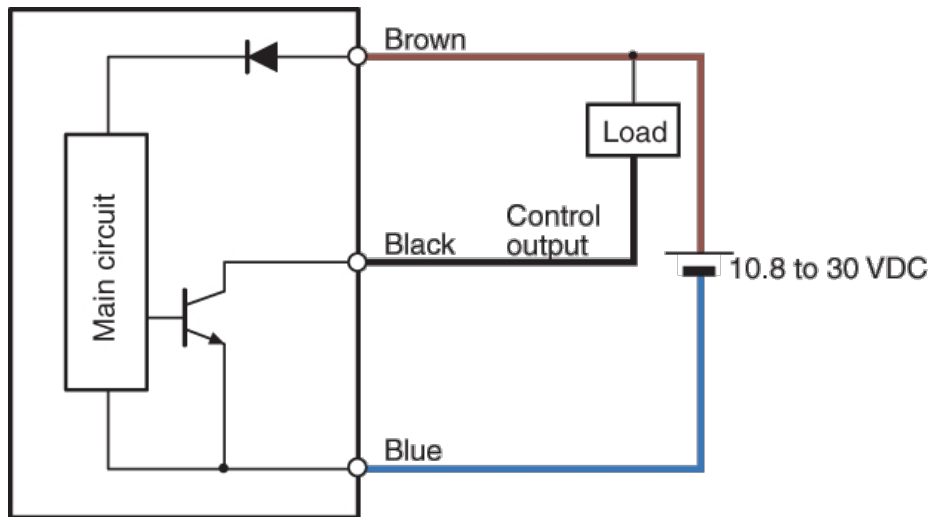
When driving a direct load (NPN output type)

&

When connecting to a voltage input device (NPN output type)

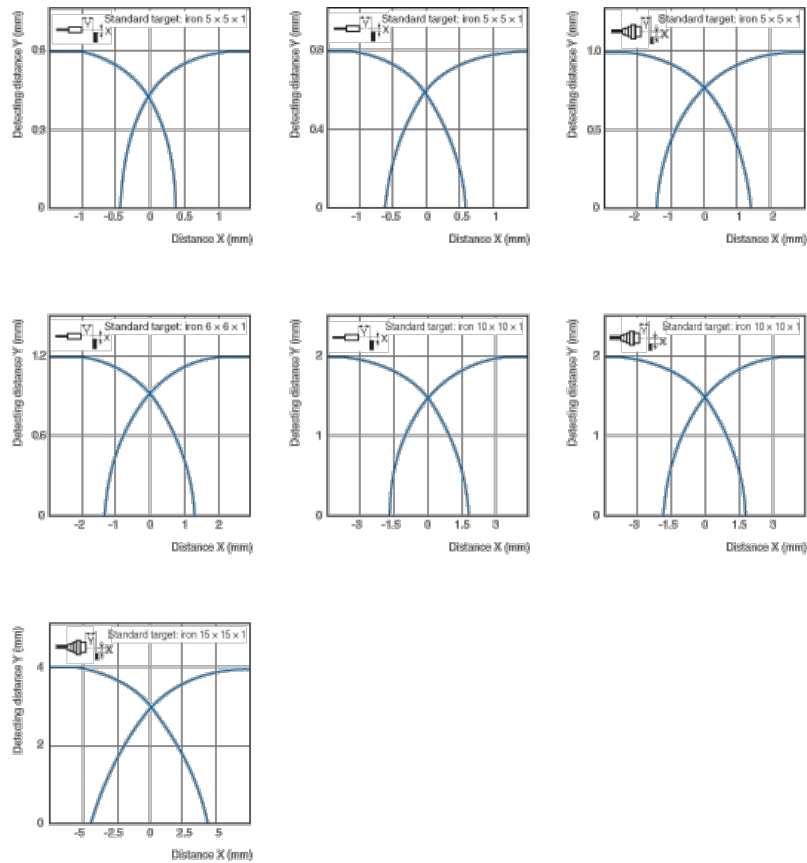


NPN



Characteristic

* Download CAD file or product manual for larger image/text and more detail.



Detecting distance vs. size and material of target (Typical)

