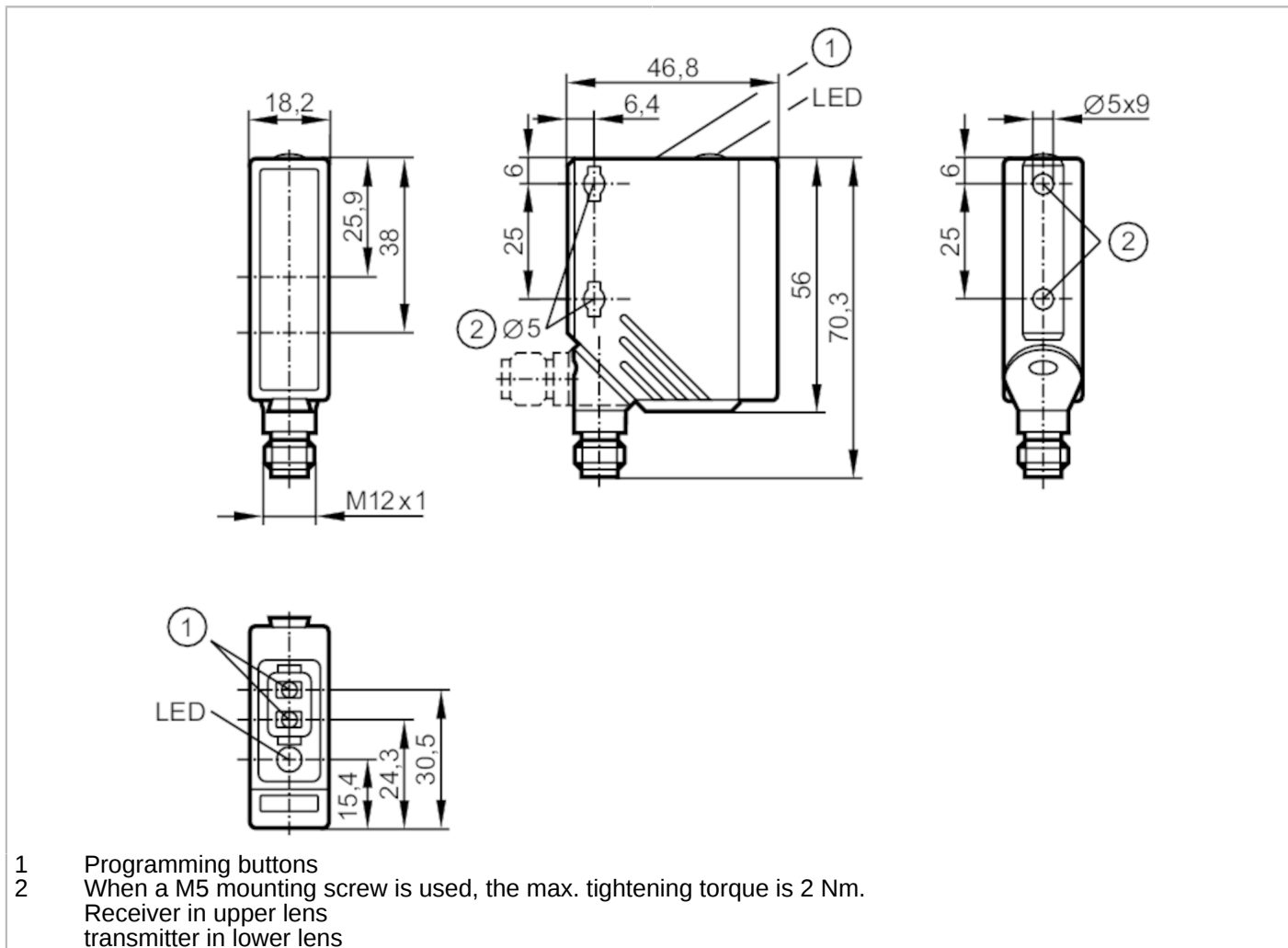


O5K500



Contrast sensor

O5K-FAKG/US100



| Product characteristics | |
|-----------------------------|------------------------------------|
| Type of light | red light; green light; blue light |
| Housing | rectangular |
| Electrical data | |
| Operating voltage [V] | 10...36 DC |
| Current consumption [mA] | 50; ((24 V)) |
| Protection class | II |
| Reverse polarity protection | yes |
| Type of light | red light; green light; blue light |
| Wave length [nm] | 625; 525; 465 |

O5K500



Contrast sensor

O5K-FAKG/US100

| Outputs | | |
|--|---|-----------------|
| Electrical design | PNP/NPN; (Automatic load detection PNP/NPN) | |
| Output function | light-on/dark-on mode; (programmable) | |
| Max. voltage drop switching output DC [V] | 2.5 | |
| Permanent current rating of switching output DC [mA] | 200 | |
| Switching frequency DC [Hz] | 10000 | |
| Short-circuit protection | yes | |
| Type of short-circuit protection | yes (non-latching) | |
| Overload protection | yes | |
| Monitoring range | | |
| Range [mm] | 18...22 | |
| Max. light spot width [mm] | 1.5 | |
| Max. light spot height [mm] | 5 | |
| Reaction times | | |
| Response time [ms] | < 0.05 | |
| Operating conditions | | |
| Ambient temperature [°C] | -25...60 | |
| Protection | IP 67 | |
| Tests / approvals | | |
| EMC | EN 60947-5-2 | |
| MTTF [years] | 568 | |
| Mechanical data | | |
| Weight [g] | 79.5 | |
| Housing | rectangular | |
| Dimensions [mm] | 56 x 18.2 x 46.8 | |
| Material | housing: PA; Front framework: stainless steel; operator interface: TPU / PC | |
| Lens material | front lens:PMMA | |
| Lens alignment | Side sensing | |
| Displays / operating elements | | |
| Display | Switching status | 1 x LED, yellow |
| Teach function | yes | |
| Electronic lock | yes | |
| Remarks | | |
| Remarks | cULus - Class 2 source required | |
| Pack quantity | 1 pcs. | |
| Electrical connection | | |
| Connector: 1 x M12; coding: A | | |

O5K500



Contrast sensor

O5K-FAKG/US100

